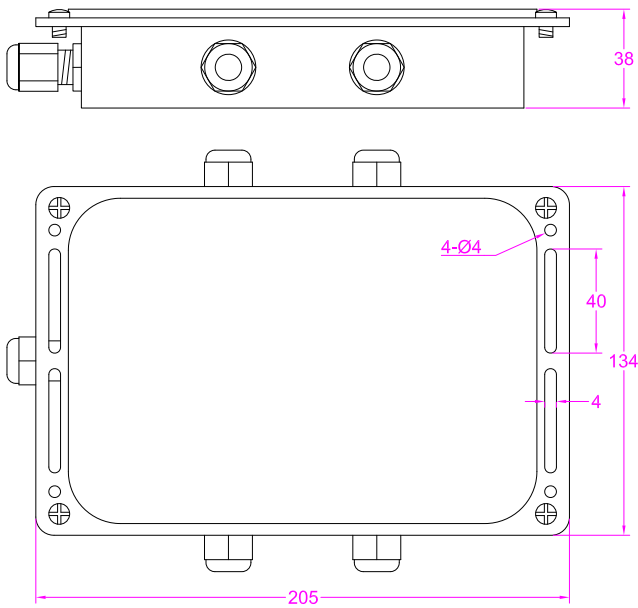
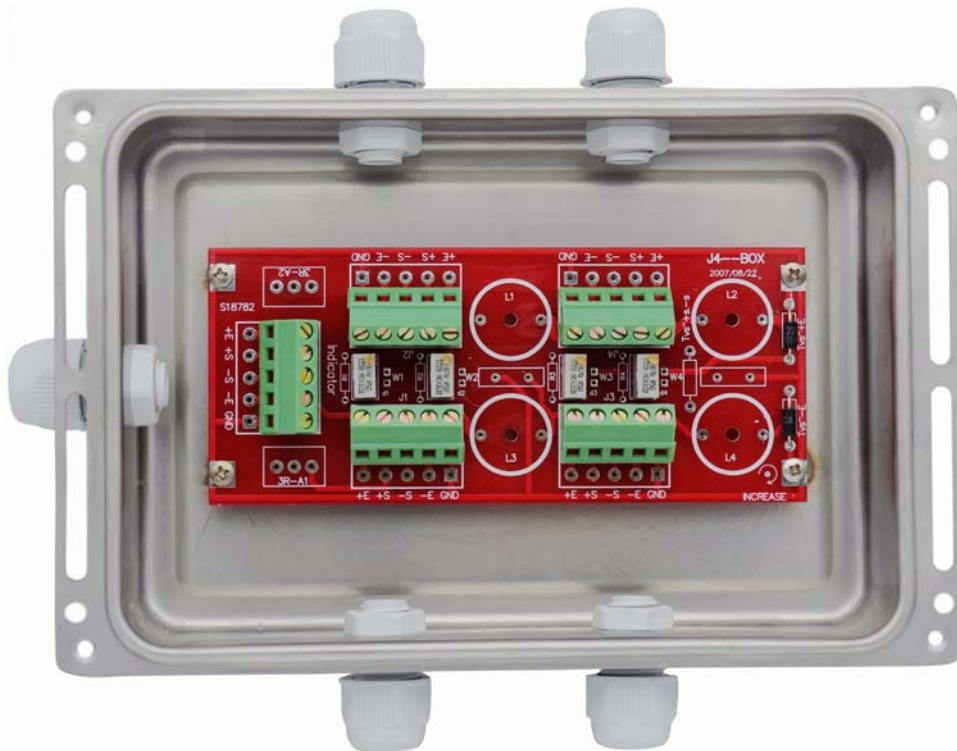


4-input Load cell junction box



- Stainless steel enclosure
- Applicable cable diameter Ø3.5~Ø6.5
- Net weight: 644g
- IP65 protection
- Signal trimming for up to 4 load cells

Internal view



- Clip terminals J1~J4 are for load cell connection
- Potentiometers W1~W4 are for signal trimming
- Terminal indicator is for indicator connection

- +E ---- Excitation(+)
- E ---- Excitation(-)
- +S ---- Signal(+)
- S ---- Signal(-)
- GND ---- Shield